



HIGH PRESSURE DIAPHRAGM PUMPS



APS166

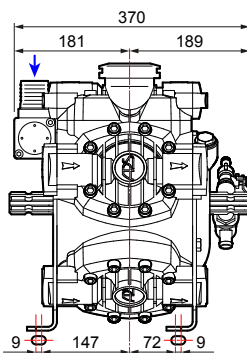
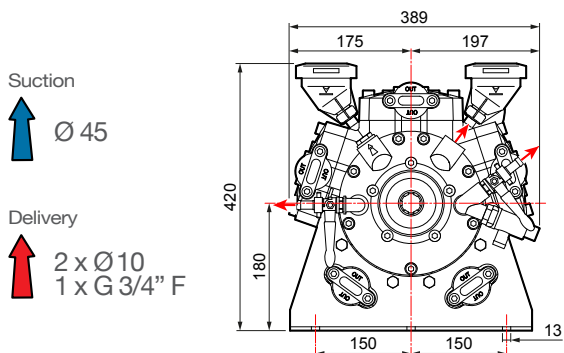
5 Diaphragm



50 bar
725 psi



169 l/min
44.6 US gpm



AVAILABLE MODELS

APS 166

1 3/8" Male 6 Splined Shaft on Both Sides



ACCESSORIES & REPAIR KITS

Comet Oil



8102.1801.00

ALFA 2 Regulator



1204.1801.00

ORION 2 Regulator



1204.1701.00

VRS Regulator



1215.0287.00

Shaft Protector



2416.0307.00

Rebuild Kit



NBR: 5026.0180.00

	0 bar - 0 p.s.i.				20 bar - 290 p.s.i.				30 bar - 435 p.s.i.				40 bar - 580 p.s.i.				50 bar - 725 p.s.i.						
	RPM	l/min	U.S.g.p.m.	HP	KW	l/min	U.S.g.p.m.	HP	KW	l/min	U.S.g.p.m.	HP	KW	l/min	U.S.g.p.m.	HP	KW	l/min	U.S.g.p.m.	HP	KW	kg	lb
	400	126	33.3	1.3	1.0	123	32.5	7.0	5.2	121	32.0	9.7	7.1	121	32.0	12.5	9.2	120	31.7	15.1	11.1	56	123.5
	450	142	37.5	1.5	1.1	139	36.7	7.9	5.8	137	36.2	11.0	8.1	136	35.9	14.0	10.3	135	35.7	17.0	12.5		
	500	154	40.7	1.6	1.2	151	39.9	8.6	6.3	150	39.6	12.0	8.8	150	39.6	15.5	11.4	148	39.1	18.7	13.8		
	550	169	44.6	1.8	1.3	166	43.9	9.4	6.9	164	43.3	13.1	9.6	163	43.1	16.8	12.4	163	43.1	20.5	15.1		